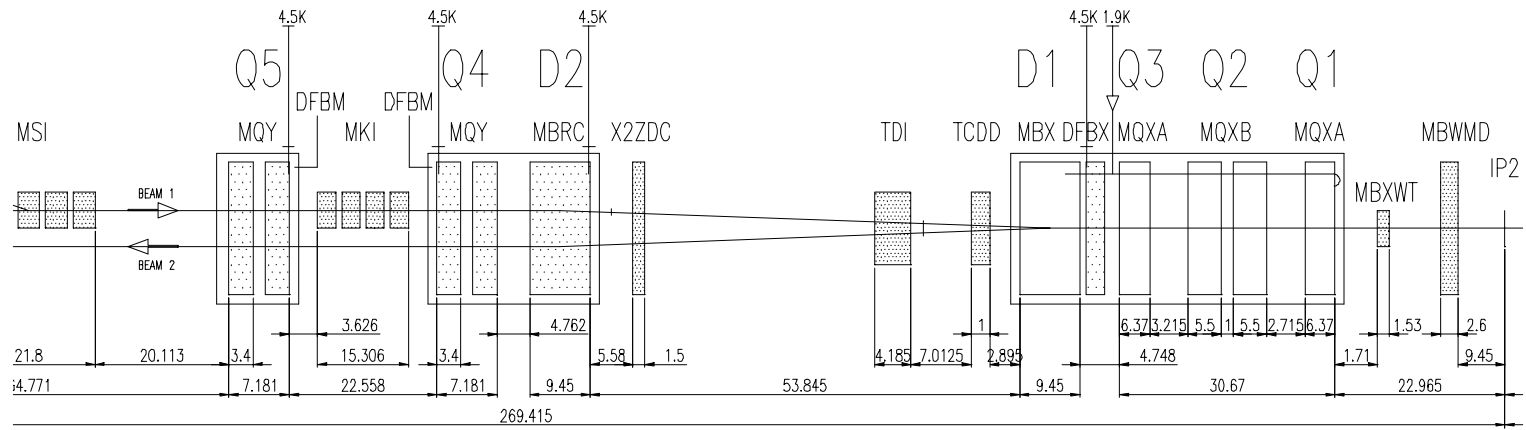
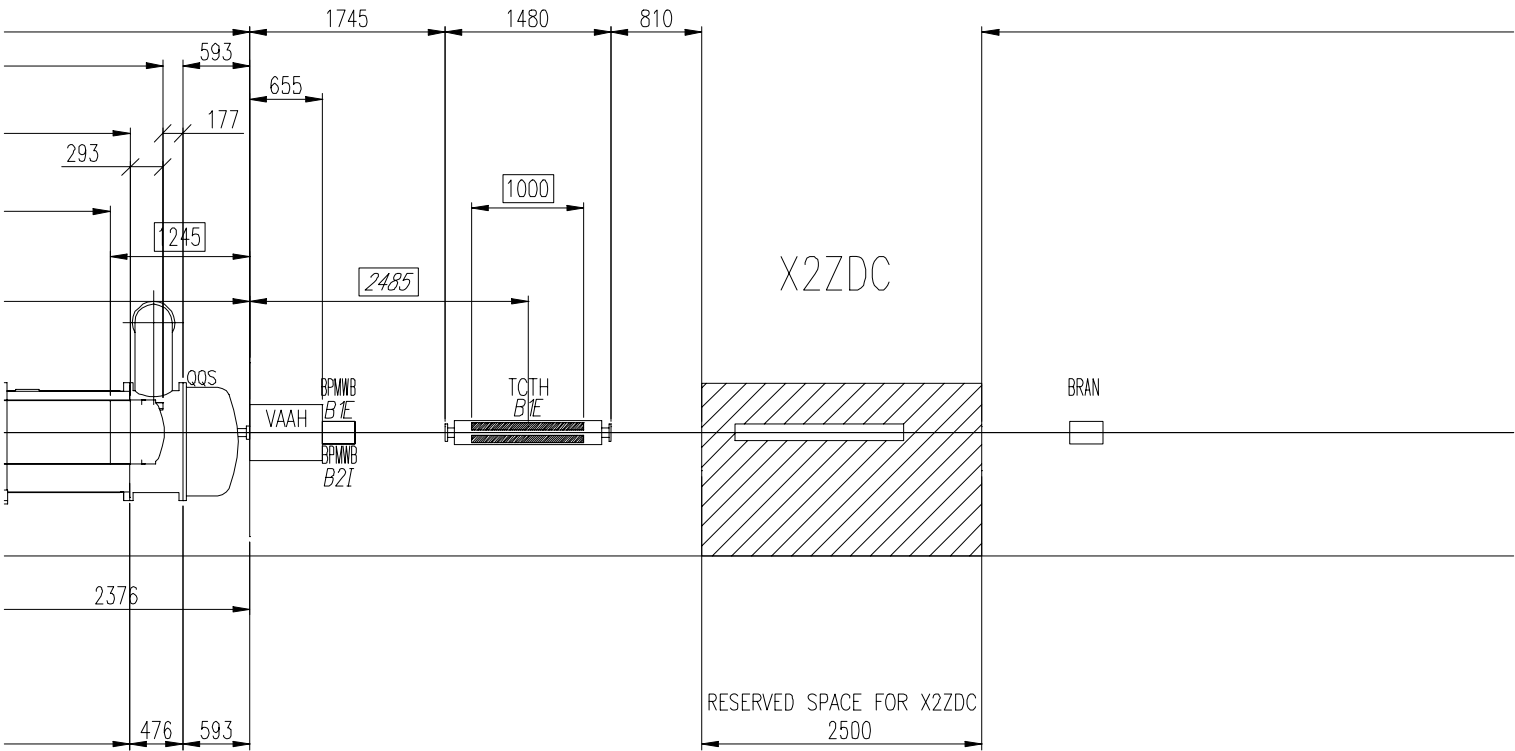
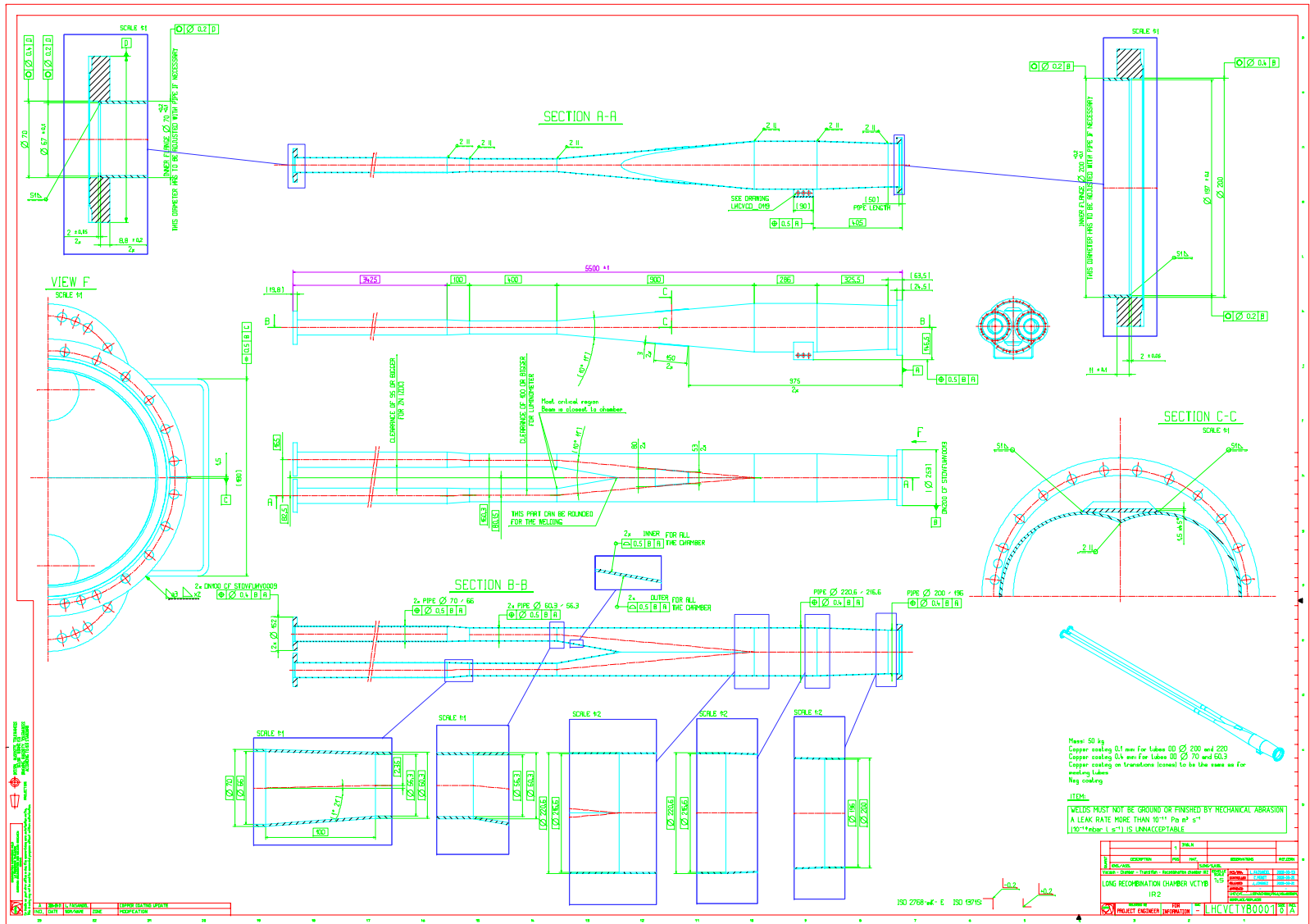


AL/k



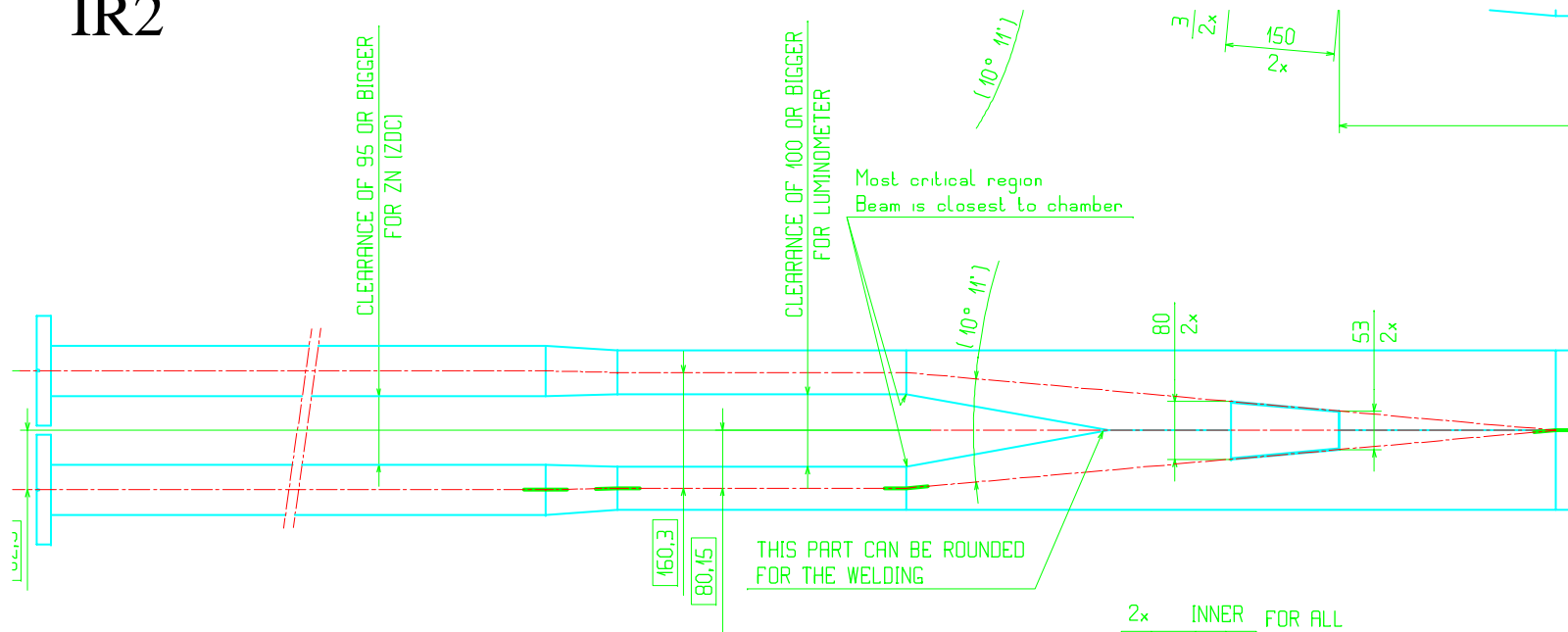


# IR2

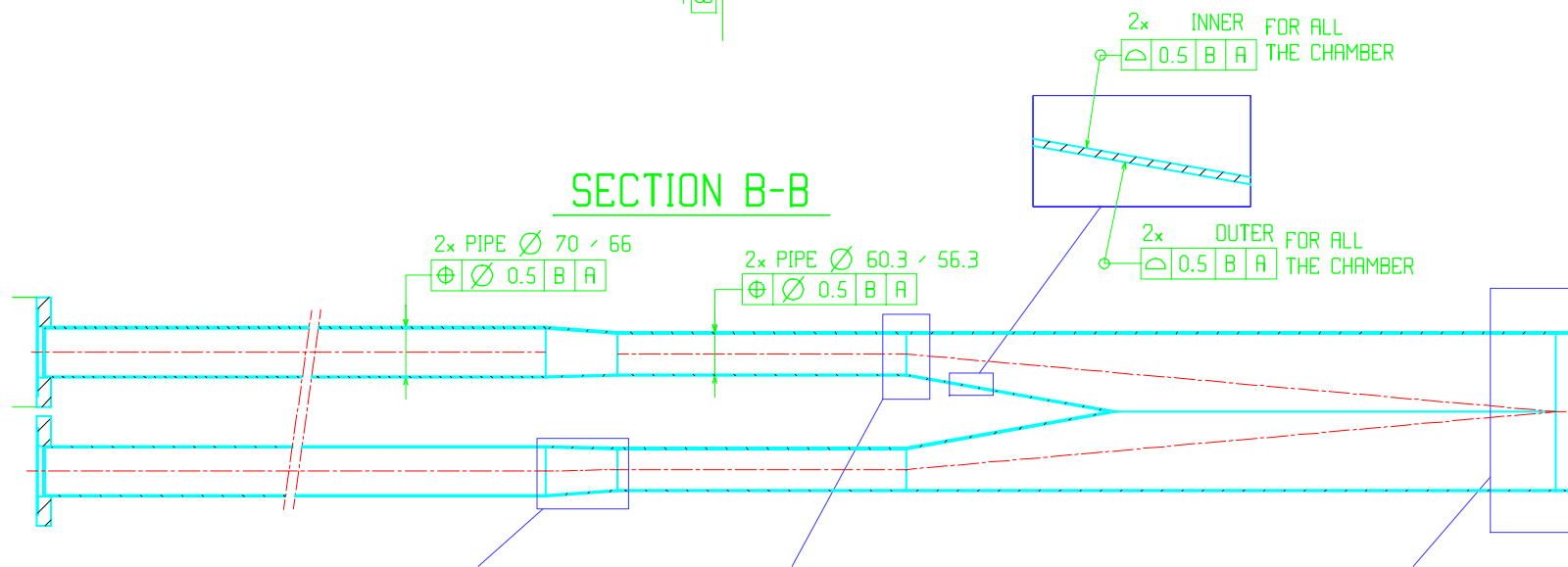


Ref : CDD LHCVCTYB0001

# IR2



## SECTION B-B



IR8

Changes: IR2L + IR8R  
One tube : round to ellipse  
 $R = 28.15 \rightarrow (28, 38)$  max  
IR2 length 400  $\rightarrow > 1000$   
IR8 length unchanged

