

TCLIA/TCTV simulation

A. Grudiev

03.02.2006

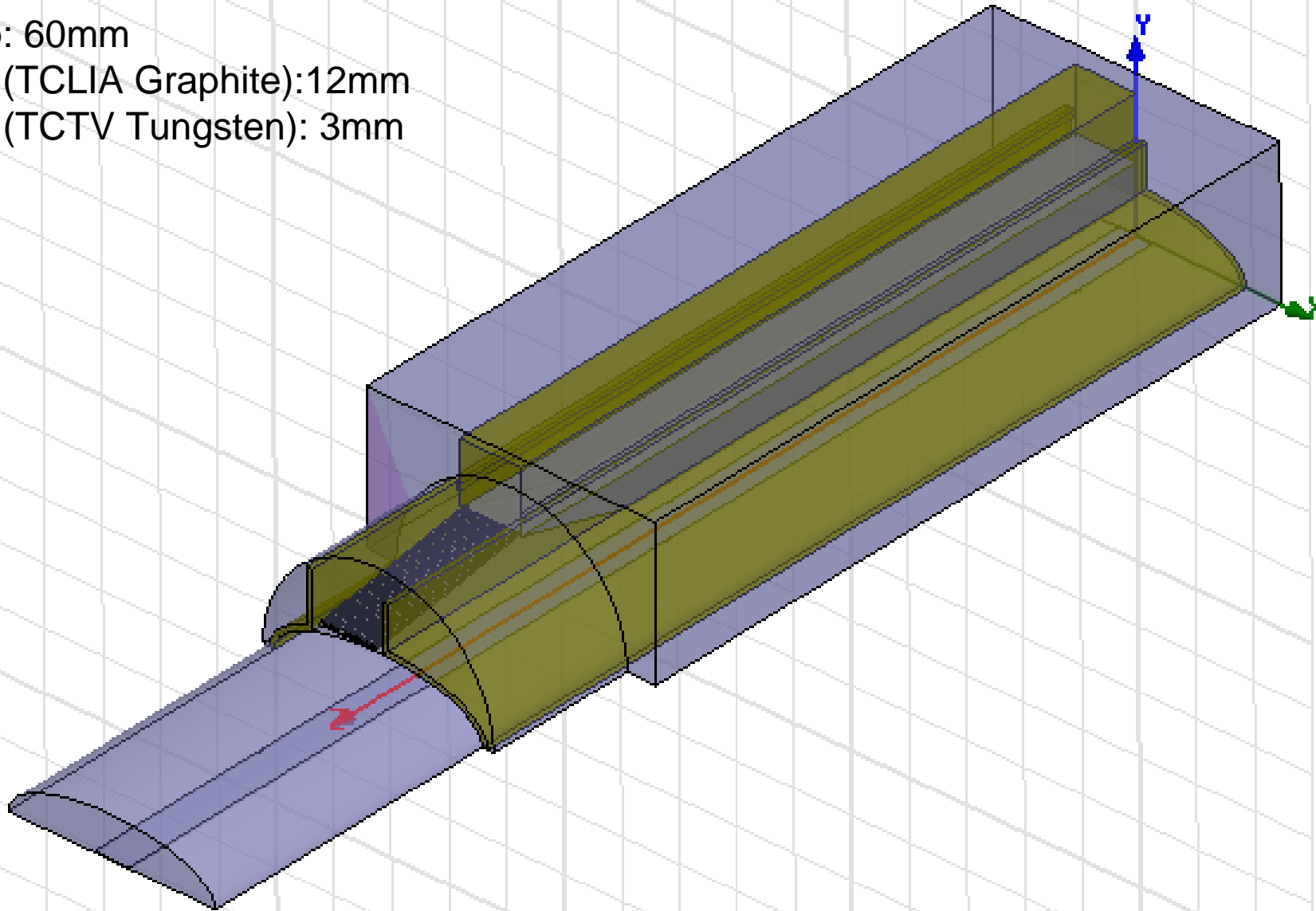
RLC meeting

TCLIA/TCTV geometry

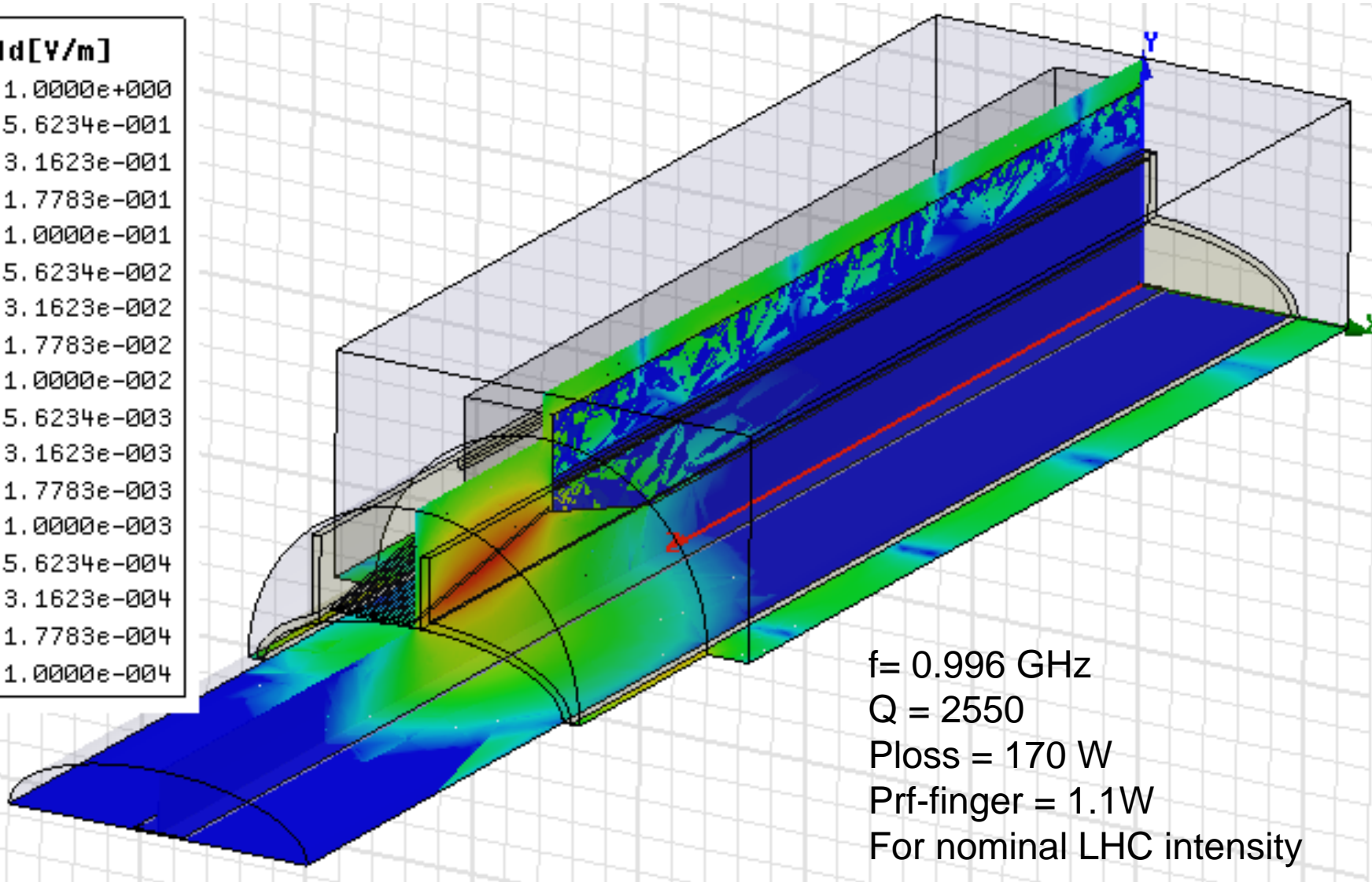
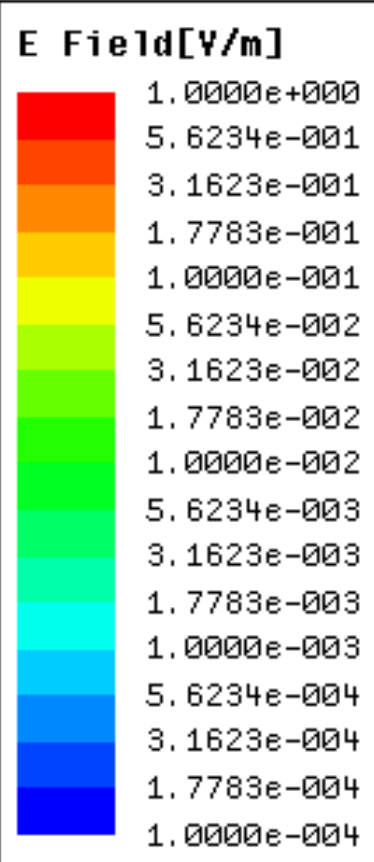
Max gap: 60mm

Min gap (TCLIA Graphite): 12mm

Min gap (TCTV Tungsten): 3mm



Longitudinal trapped mode electric field

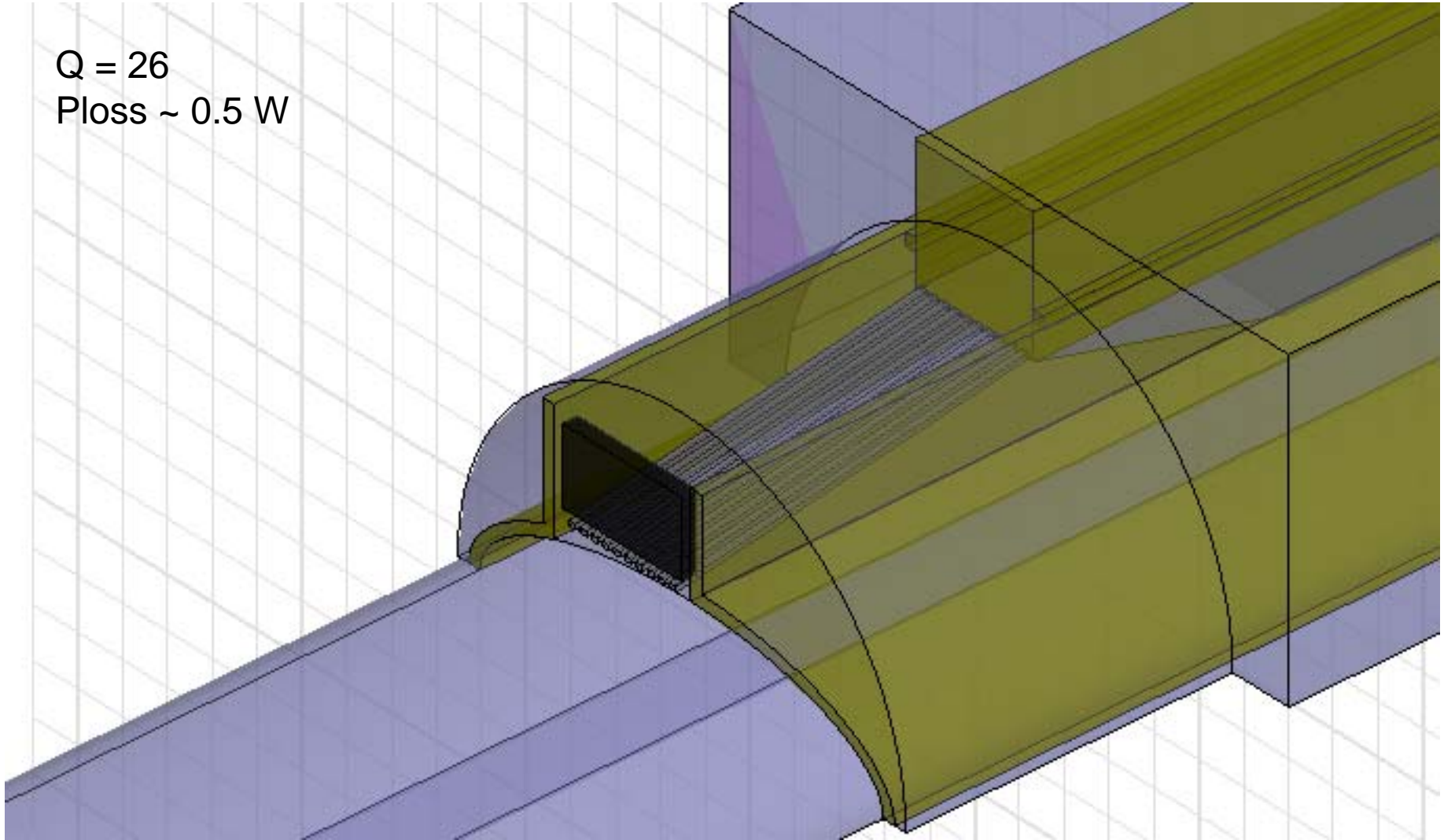


$f = 0.996$ GHz
 $Q = 2550$
 $P_{loss} = 170$ W
 $P_{rf-finger} = 1.1$ W
For nominal LHC intensity

For two beams the upper estimate is a factor 4

Trapped mode damping with 4S60 ferrite

$Q = 26$
Ploss ~ 0.5 W



OK for longitudinal modes